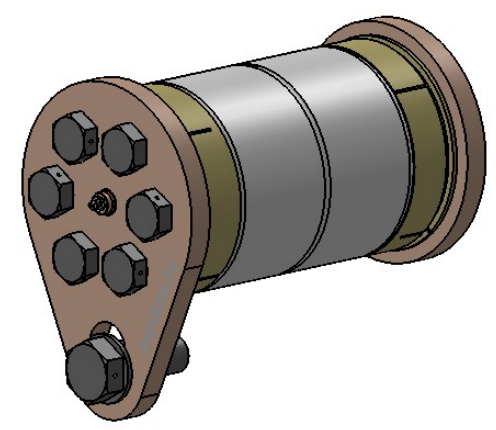
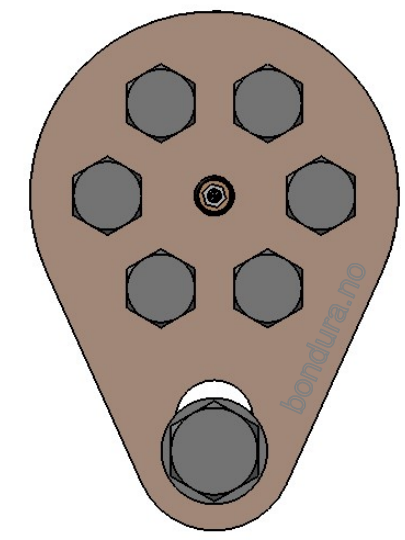
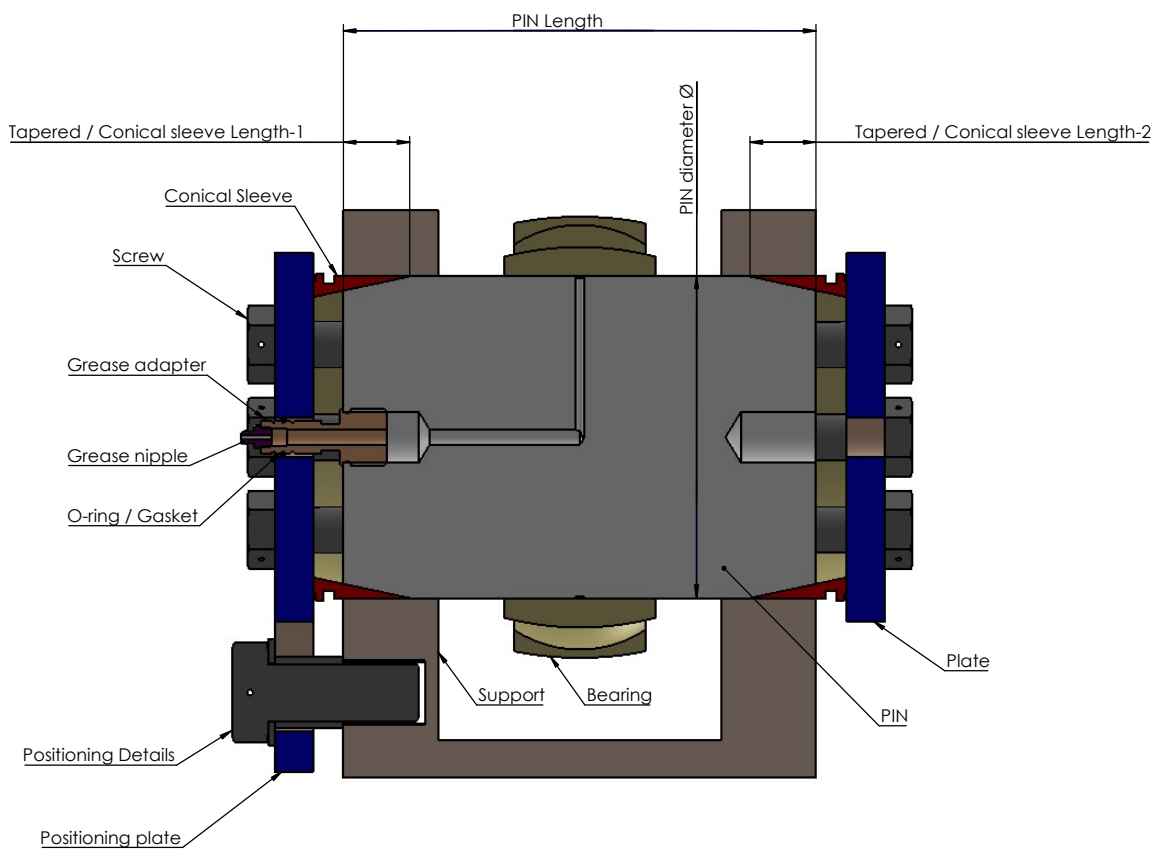


| REVISIONS TABLE | | | |
|-----------------|-------------------------------|------------|----------|
| REV. | DESCRIPTION | DATE | APPROVED |
| A | New positioning plate | 14.11.1999 | AAa |
| B | Drawing traceability | 16.08.2004 | AAa |
| C | Ø50-Ø500 was Ø70-Ø360 | 17.01.2013 | TorG |
| D | Updates for DNV Approval 2017 | 11.07.2017 | ØK |




Detailed explanation of a bondura® assembly, as per Bondura Technology's Material Traceability List

Example: bondura 6.6.200.0300.L-40.40

- bondura® type: 6.6
- PIN diameter: Ø200mm
- PIN length: 300mm
- lubrication: L= single lubrication
- D= double lubrication
- U= without lubrication

Tapered / Conical sleeve length-1: 40mm
 Tapered / Conical sleeve length-2: 40mm

| | | | | | |
|--|------------------|-------------|----------------------|--|---|
| | | | | The bondura® pivot pin is a patented product and is thus protected under patent legislations and product rights. | |
| Date: 15.10.1998 | Drawn by: Nina | App. by: ØK | Project used: | Size: A2 |  |
| Product Description: bondura 6.6. Ø50-Ø500 | | | Sheet: 1 of 1 | | |
| GENERAL ARRANGEMENT | | | Drawing No.: GA-0326 | | |
| Material: | Weight: 66.32 kg | Ref. to: | Module: | Art no: | Status: Approved |