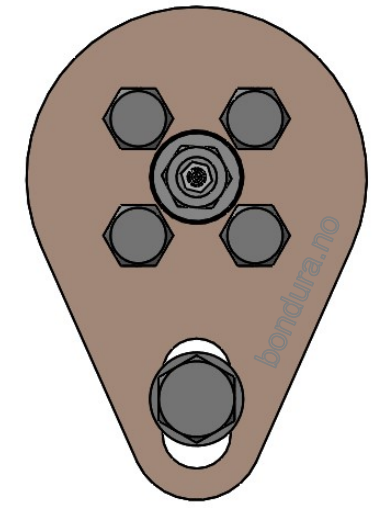
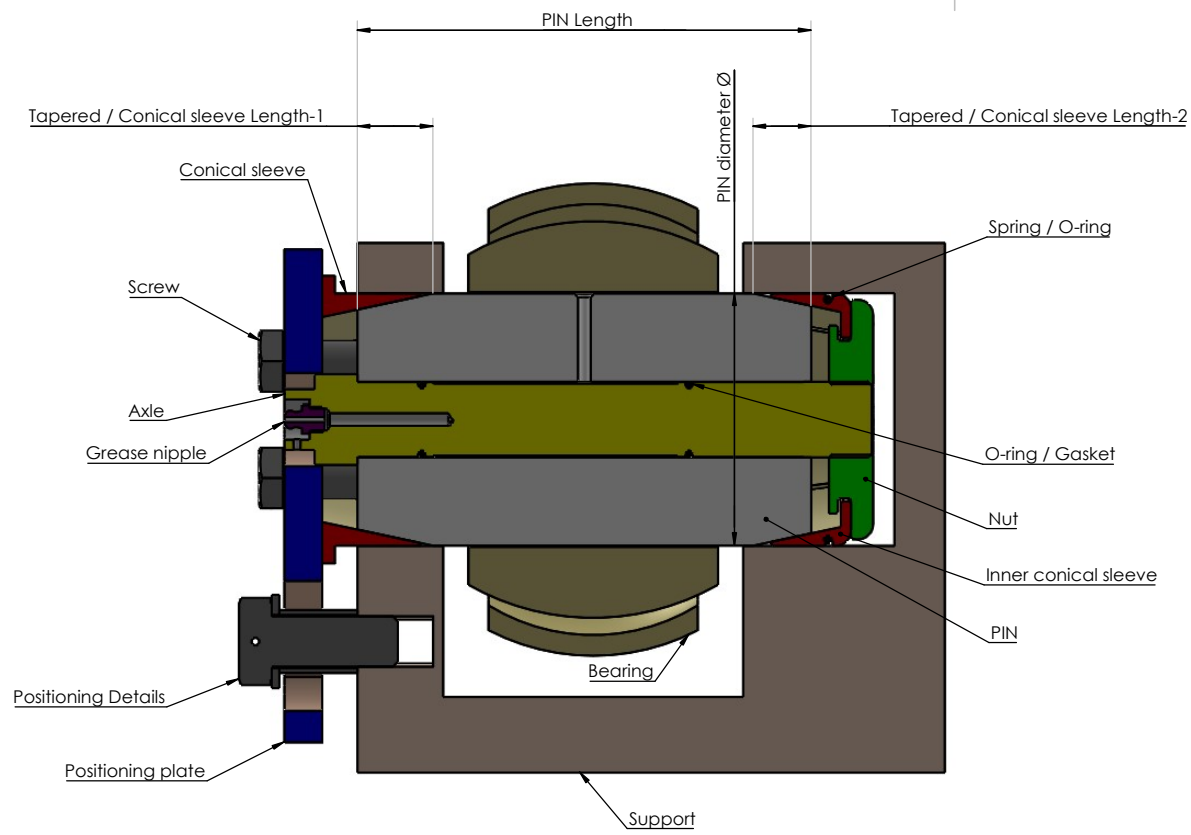


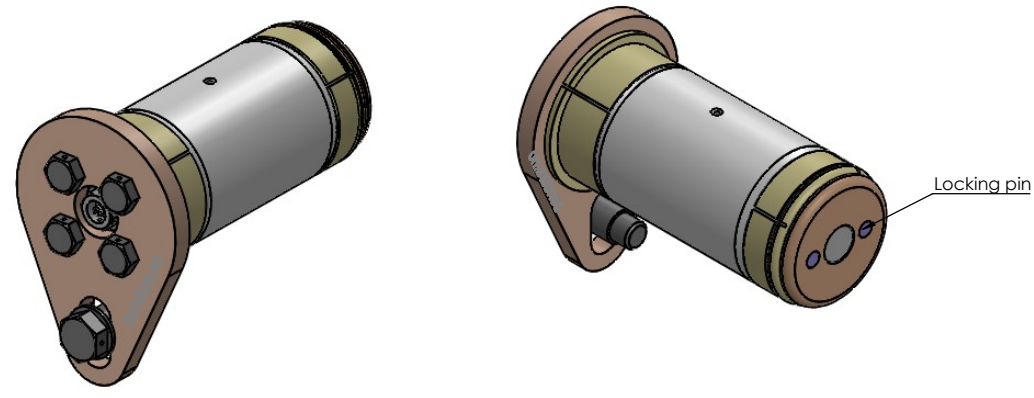
REVISIONS TABLE			
REV.	DESCRIPTION	DATE	APPROVED
A	New parts number	14.11.1999	AAa
B	Drawing traceability	16.08.2004	AAa
C	Ø60-Ø275 was Ø100-Ø275	08.04.2013	TorG
D	Updates for DNV Approval 2017	14.07.2017	ØK



Detailed explanation of a bondura® assembly as per Bondura Technology's Material Traceability List

Example: bondura 6.1.140.0267.L-60.43
 bondura® type: 6.1
 PIN diameter: Ø140mm
 PIN length: 267mm
 lubrication: L= single lubrication
 D= double lubrication
 U= without lubrication

Tapered / Conical sleeve length-1: 60mm
 Tapered / Conical sleeve length-2: 43mm



				The bondura® pivot pin is a patented product and is thus protected under patent legislations and product rights.	
Date: 15.10.1998	Drawn by: Nirna	App. by: ØK	Project used:	Size: A2	
Product Description: bondura 6.1. Ø59-Ø275			Sheet: 1 of 1	Revision: 1	
GENERAL ARRANGEMENT			Drawing No.: GA-0332	Revision: 1	
Material:	Weight: 26.43 kg	Ref. to:	Module:	Art no:	
			Status: Approved		