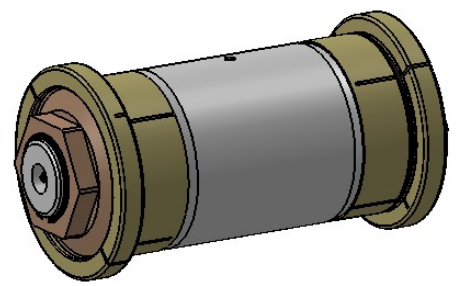
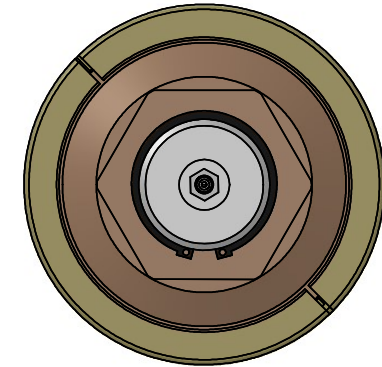
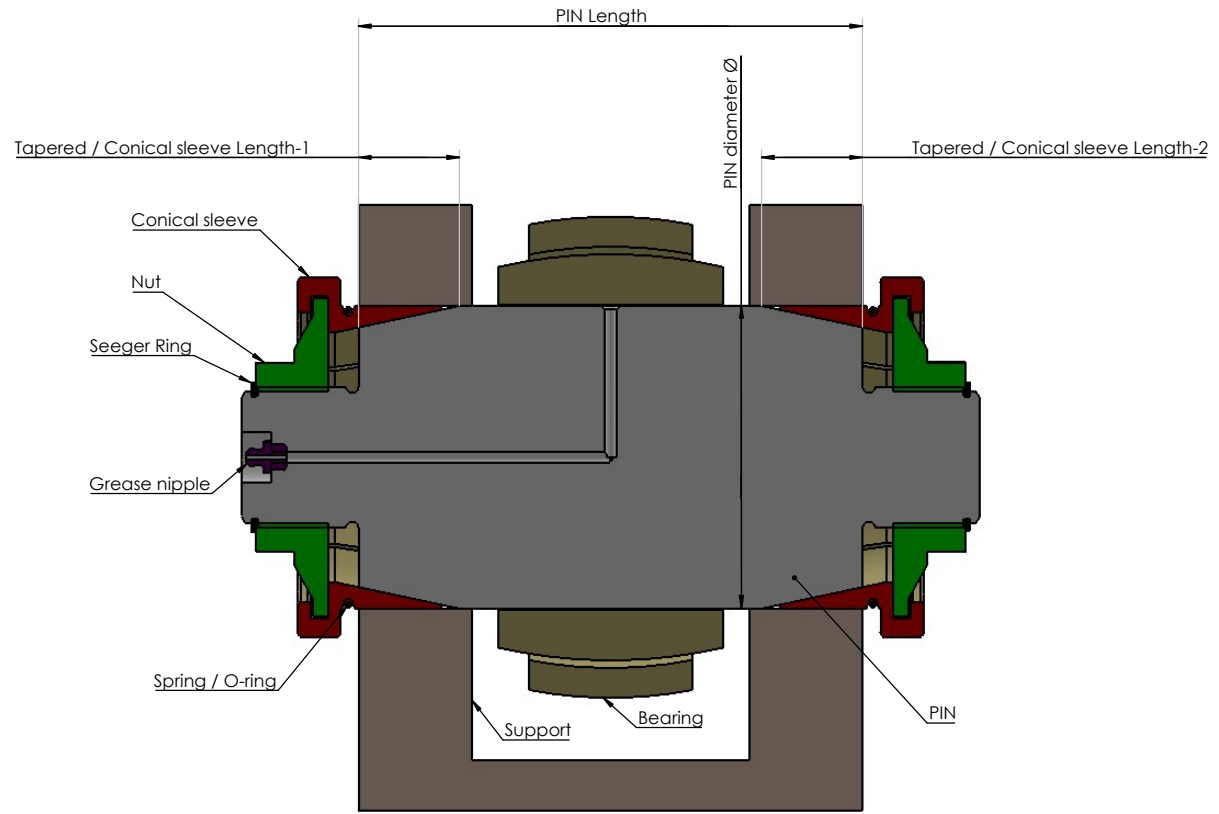


REVISIONS TABLE			
REV.	DESCRIPTION	DATE	APPROVED
A	Removed locking detail	05.11.1997	AAa
B	Increase diameter range	14.11.1999	AAa
C	Ø10-Ø500 was Ø25-Ø275	22.04.2013	TorG
D	Updates for DNV Approval 2017	20.07.2017	ØK



Detailed explanation of a bondura® assembly, as per Bondura Technology's Material Traceability List

Example: bondura 3.3.120.0300.L-40.40

bondura® type: 3.3
 PIN diameter: Ø120mm
 PIN length: 300mm
 lubrication: L= single lubrication
 D= double lubrication
 U= without lubrication

Tapered / Conical sleeve length-1: 40mm
 Tapered / Conical sleeve length-2: 40mm

		The bondura® pivot pin is a patented product and is thus protected under patent legislations and product rights.	
Date: 08.10.1993	Drawn by: Nina	App. by: ØK	Project used:
Product Description: bondura 3.3. Ø10-Ø500		Size: A2	
GENERAL ARRANGEMENT		Sheet: 1 of 1	
Material:	Weight: 33.20 kg	Ref. to:	Drawing No.: GA-0310 Status: Approved